

Title:
Flush Ceiling Join Details

Product:
Asona Triton Acoustic Panel

Description:
Asona Triton acoustic panel with sonatex facing. Triton panels available in various thicknesses.
25mm - NRC 0.75
40mm - NRC 0.90
50mm - NRC 1.00
75mm - NRC 1.00
100mm - NRC 1.00

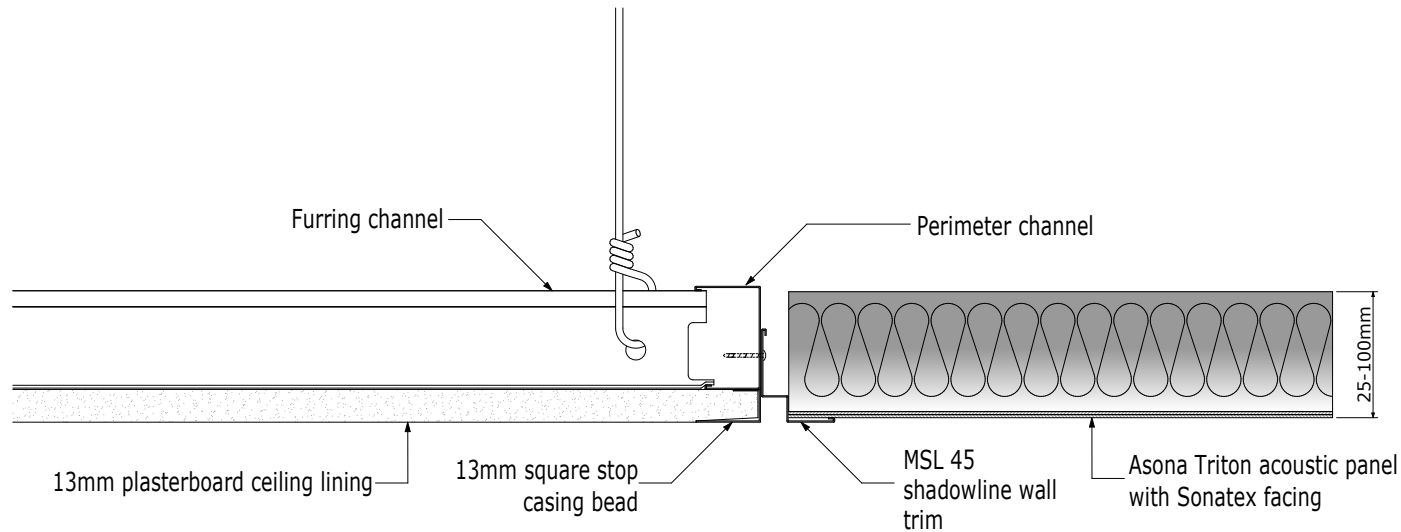
Drawing No.: TR-009
Rev No.: 001
Scale: A4 @ 1:3
Date: 1/06/2015

Ph: +64 (0)9 5256575
Fax: +64 (0)9 5256579
Email: info@asona.co.nz
Web: www.asona.co.nz

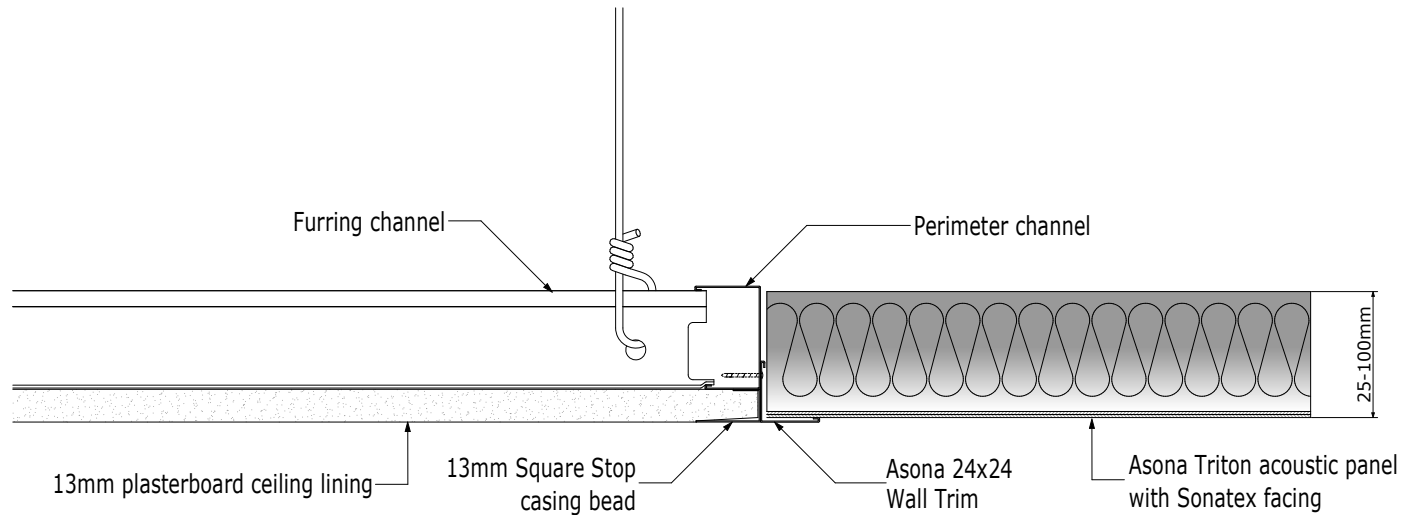


asona

© 2014 copyright asona ltd



Shadowline Trim Ceiling Join



Flush Ceiling Join