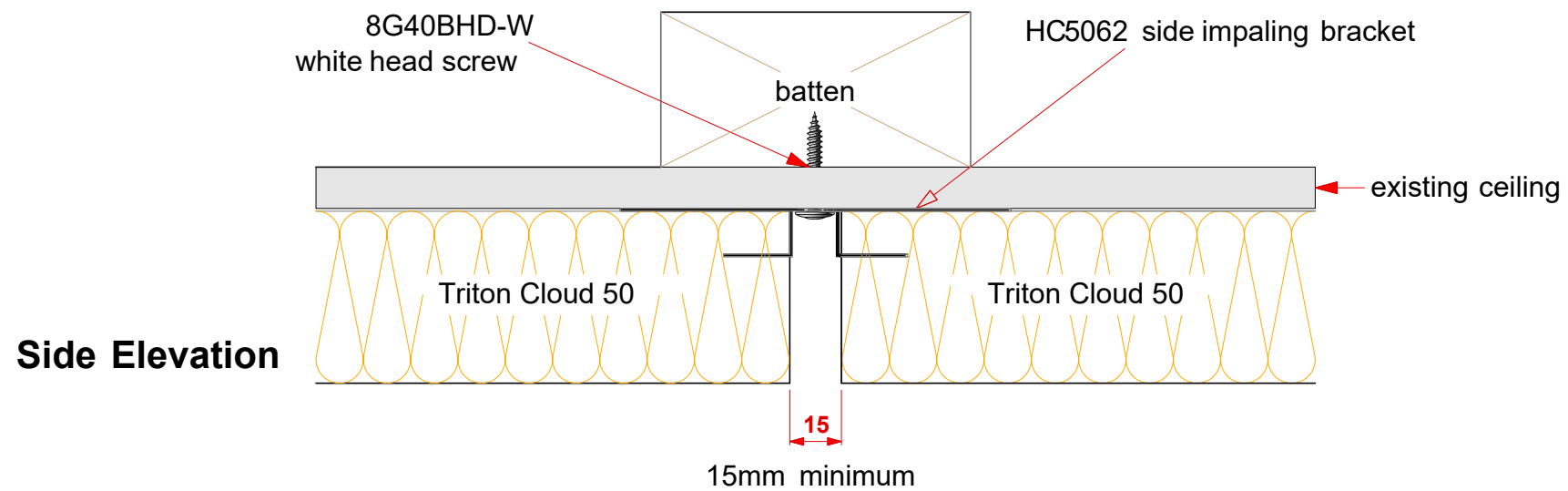
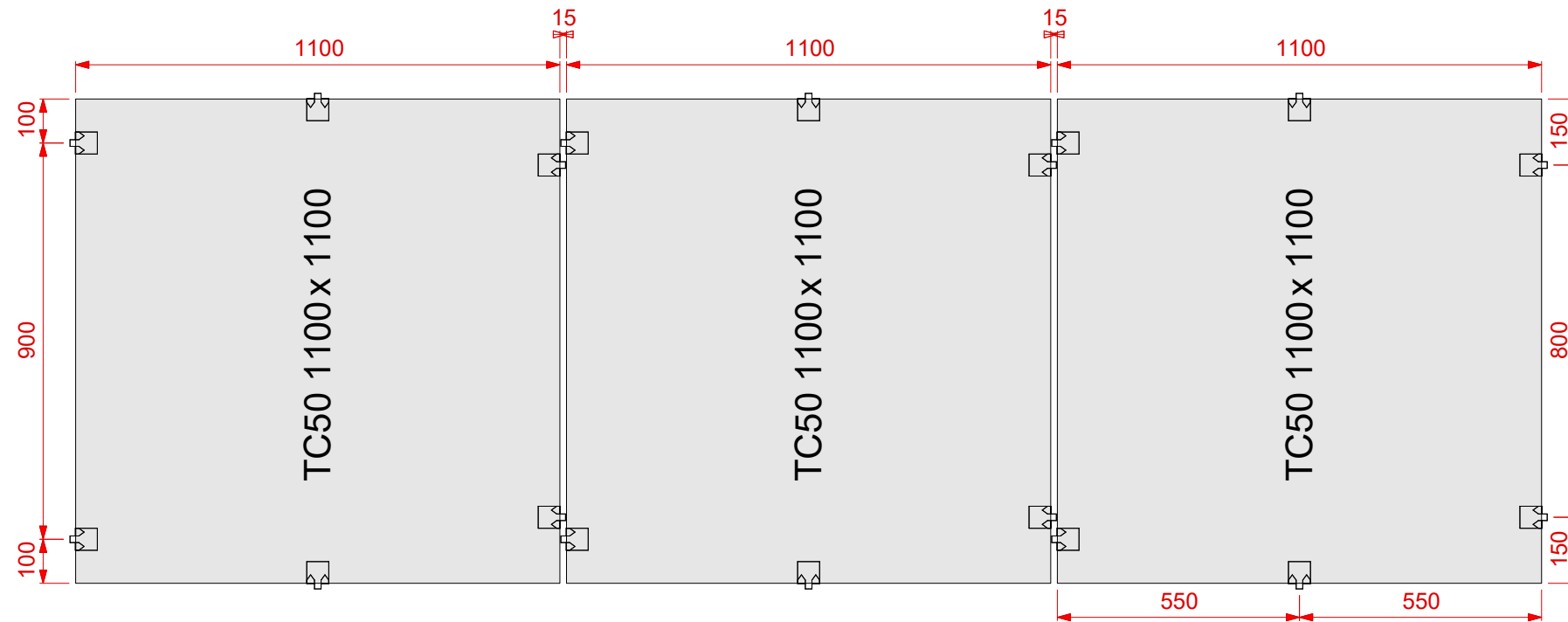



# Panel and Bracket Layout




[www.asona.co.nz](http://www.asona.co.nz)  
[info@asona.co.nz](mailto:info@asona.co.nz)  
 Unit 12/14, 7 Cain Rd, Penrose,  
 Auckland 1061, New Zealand  
**Tel: +64 9 525 6575**

## Triton Cloud 50 VG Edged Panel Direct Fix - Construction & Installation Details

**Product:** Triton Cloud 50 VG Edged Panel  
**Customer:**  
**Project Name:** Side Impaling Brackets Installation  
**Job Number:**

**APPROVED**  
 Date: \_\_\_\_\_  
 Name: \_\_\_\_\_  
 Sign: \_\_\_\_\_

**NOTES**

**View:** Plan & Section

**Drawing Number:** TC-FL17A V1  
**Drawing Date:** 10/10/2023  
**Drawn:** NJ  
**Scale:** 1:20 & 1:2