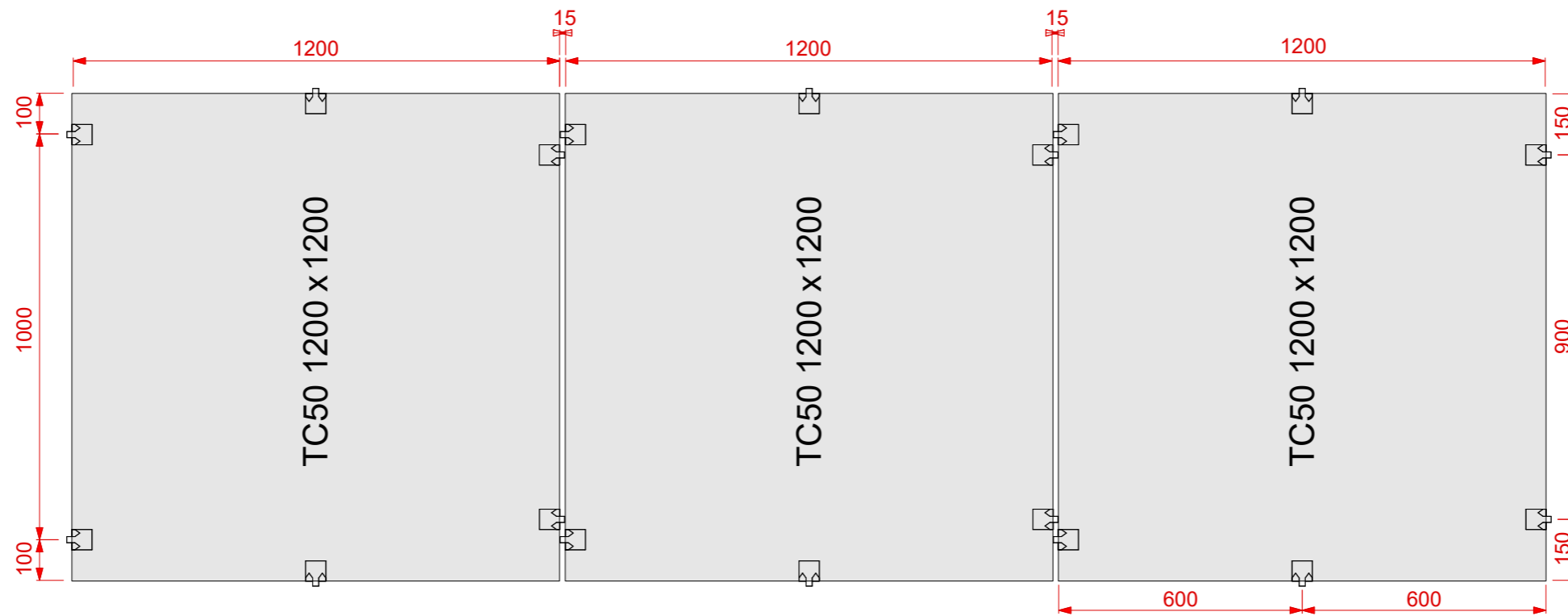
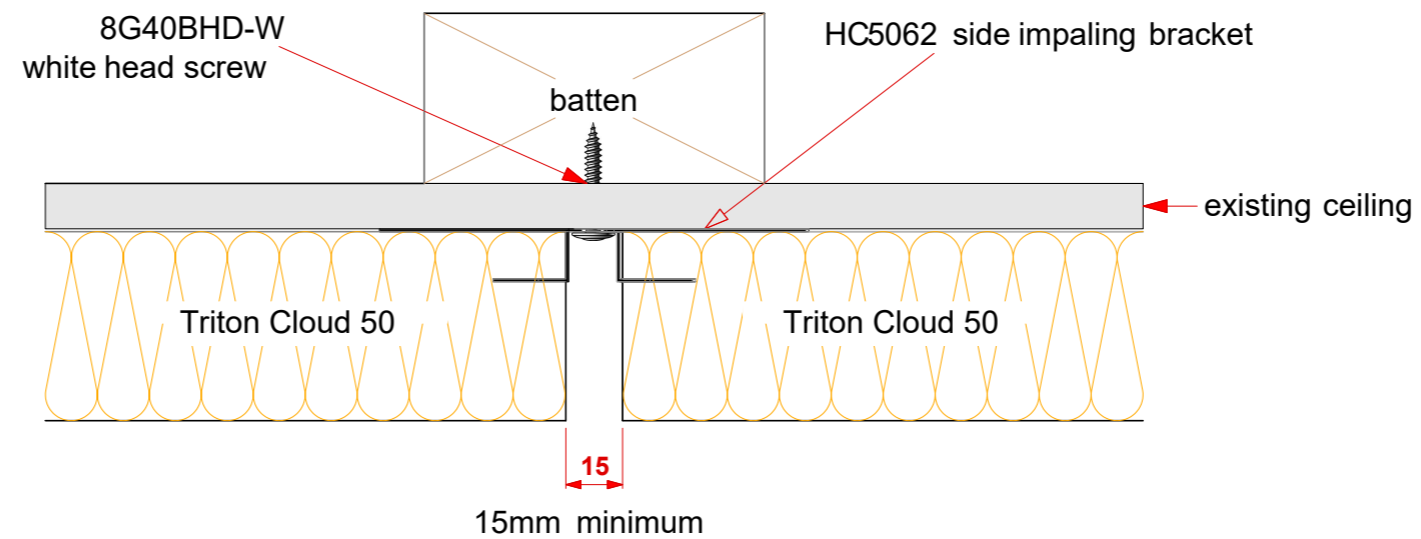


Panel and Bracket Layout



Side Elevation



Triton Cloud 50 Panel Direct Fix - Construction & Installation Details

Product: Triton Cloud 50 Panel
Customer:
Project Name: Side Impaling Brackets Installation
Job Number:

APPROVED
 Date:
 Name:
 Sign:

NOTES

View: Plan & Section

Drawing Number: TC-FL16A V1
Drawing Date: 10/10/2023
Drawn: NJ
Scale: 1:15 & 1:2



www.asona.co.nz

info@asona.co.nz

Unit 12/14, 7 Cain Rd, Penrose, Auckland 1061, New Zealand

ASONA

Tel: +64 9 525 6575